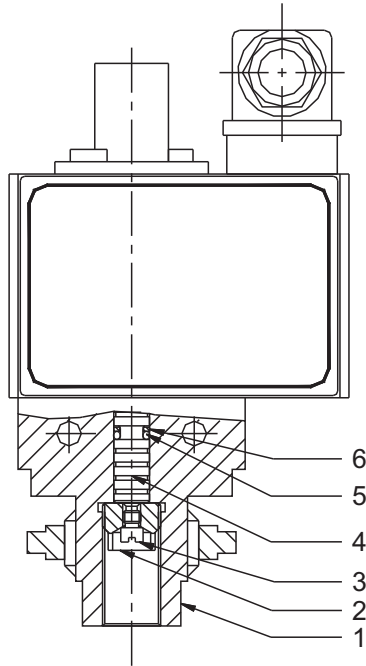


DN / DA HYDRAULIC PRESSURE SWITCHES



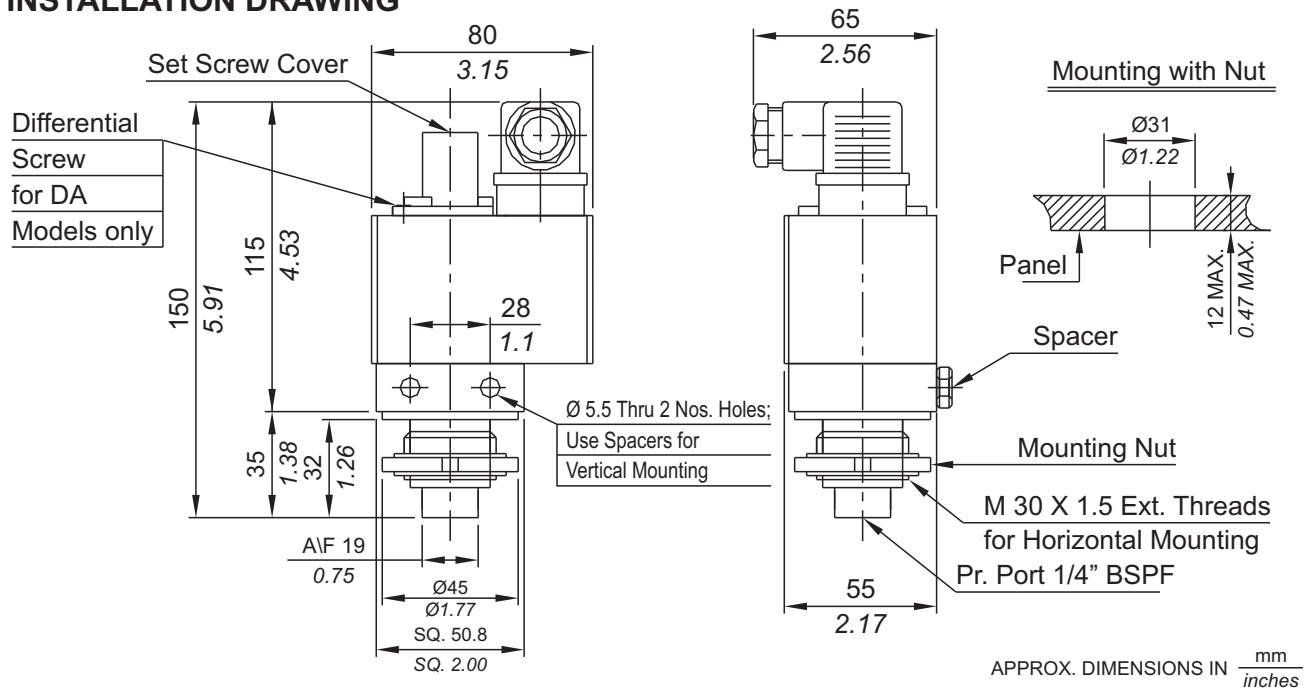
PRESSURE CAPSULE DETAILS



- No. Description**
1. Pressure Housing
 2. Surge arrestor
 3. Surge reducer
 4. Piston
 5. O ring
 6. Backup ring

Note : *wetted parts* are mentioned in italics.

INSTALLATION DRAWING



HYDRAULIC PRESSURE SWITCHES DN / DA

General information:

DN / DA series pressure switches are housed in pressure die cast aluminium powder coated enclosure and are recommended for panel / line mounting or outdoor service. The repeat accuracy is better than $\pm 1\%$ FSR. A connector to DIN 43650 is provided for electrical wiring. Pressure port is $\frac{1}{4}$ " BSPF standard.

Features:

- Compact
- Separate chamber for working parts
- Choice of wetted parts to suit working media
- Wide band adjustable differential in DA series.
- Electrical rating : 5A,250VAC;0.2A,250VDC(res.)
- Pressure port : $\frac{1}{4}$ " BSPF

Some Applications : Used for hydraulic applications like loading and unloading in CNC, VMC machining centres, chuck clamping, etc.

Range Selection Table

Range Code	Range † bar (psi)	DN		DA	
		*Approximate Maximum Differential bar (psi)	*Adjustable Differential bar (psi)	Maximum Working Pressure bar (psi)	
040	3 - 40 (43.51 - 580.15)	5 (72.52)	5 - 10 (72.52 - 145.04)	80 (1160.30)	
100	10 - 100 (145.04 - 1450.38)	12 (174.05)	10 - 20 (145.04 - 290.08)	120 (1740.45)	
200	7 - 200 (101.52 - 2900.76)	24 (348.09)	18 - 30 (261.06 - 435.11)	200 (2900.76)	
400	100 - 400 (1450.38 - 5801.51)	40 (580.15)	30 - 40 (435.11 - 580.15)	400 (5801.51)	

* minimum differential rises with setpoint (Graphs available on request)

† rising pressure for DN series; falling pressure for DA series.

Wetted Parts Table for DN / DA Series.

	Standard	Optional	Special
Piston	EN8	S.S.	for special wetted parts through chemical seals, please refer page 330,331 & 332 and specify in text accordingly.
*Backup ring	Teflon	Teflon	
O ring	Viton	Viton	
Pressure housing	Aluminium	Brass	
Surge suppressor	EN8	Brass	
Surge reducer	Brass	Brass	

* Backup ring is not used in all pressure ranges. Please contact sales office for details.

How to order DN / DA series hydraulic pressure switches.

Group 1	Group 2	Group 3	Group 4	Group 5
Model	Range	Range Scale	Wetted Parts	-
DN - Fixed diff. Hydraulic Pressure switch DA - Adjustable diff. Hydraulic Pressure Switch	Please select as per range code table	U - uncalibrated C - calibrated	S - for Standard Wetted parts. B - for optional wetted parts mentioned in table above. X - Specify wetted parts in text as per wetted parts table above.	Reserved for non Standard modifications. Code will be given by company

eg. A fixed differential hydraulic pressure switch, pressure range from 5 to 40 bar, in uncalibrated style and standard wetted parts shall be specified by

Group 1	Group 2	Group 3	Group 4	Group 5
DN	040	U	S	-

Please specify full model number to avoid ambiguity. If only the first two groups are specified while ordering, pressure switches with standard wetted parts will be supplied.