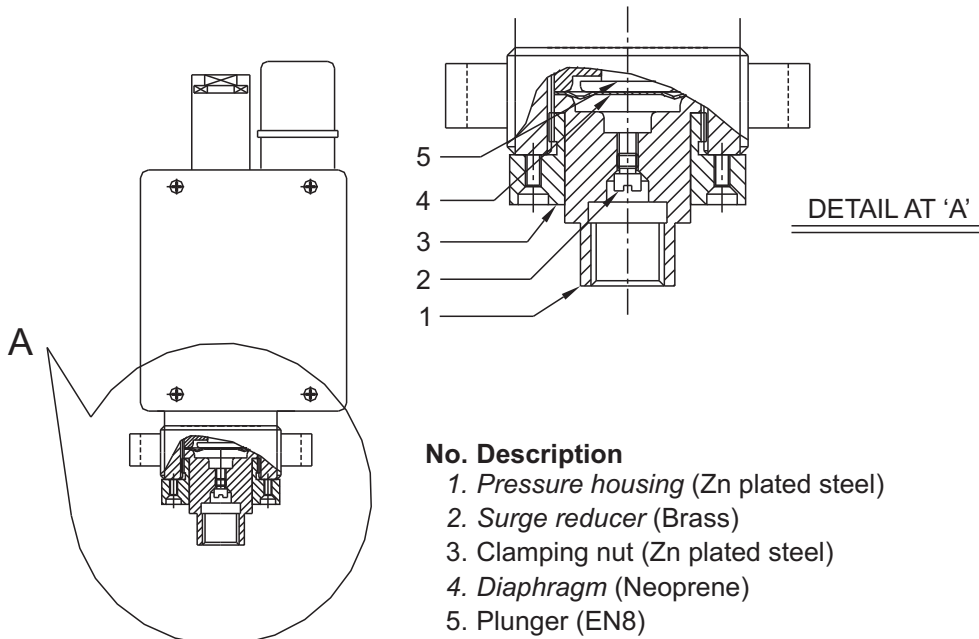


DT HIGH RANGE PRESSURE SWITCHES



PRESSURE CAPSULE DETAILS

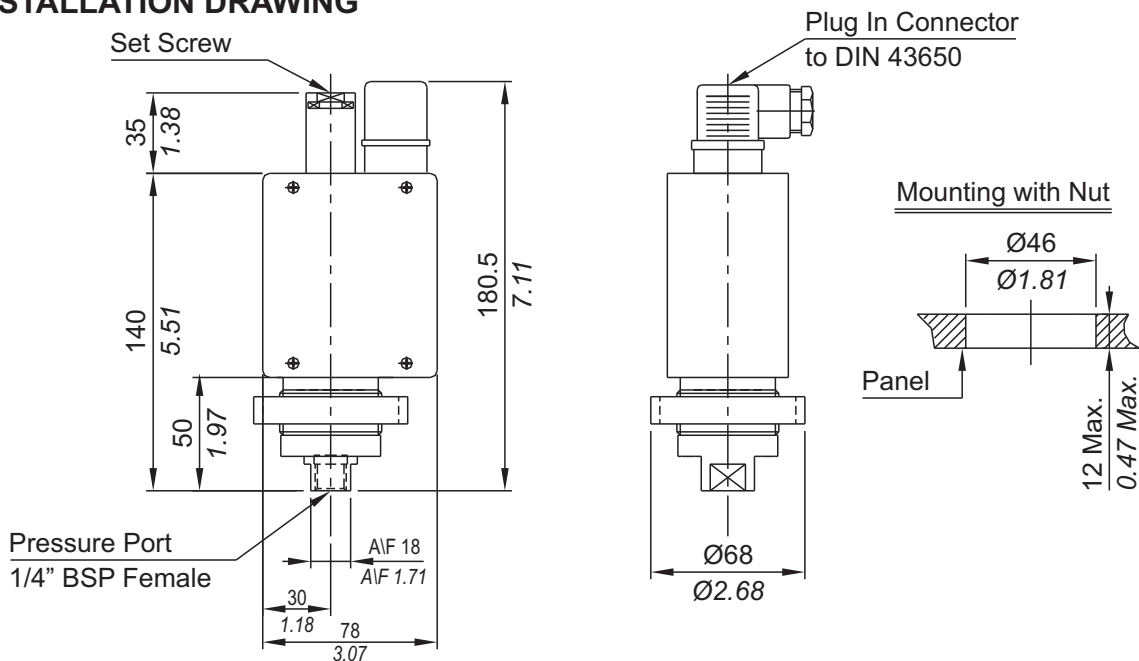


No. Description

1. Pressure housing (Zn plated steel)
2. Surge reducer (Brass)
3. Clamping nut (Zn plated steel)
4. Diaphragm (Neoprene)
5. Plunger (EN8)

Note : *wetted parts* are mentioned in italics.

INSTALLATION DRAWING



APPROX. DIMENSIONS IN $\frac{\text{mm}}{\text{inches}}$

HIGH RANGE PRESSURE SWITCHES

DT

General information:

DT series pressure switches have a cast aluminium enclosure (IP54) and are recommended for panel / line mounted hydraulic / pneumatic applications. The repeat accuracy is better than $\pm 2\%$ FSR. An electrical connector to DIN 43650 is provided for wiring. Pressure port is $\frac{1}{4}$ " BSPF standard.

Features:

- Robust construction
- 15 A switching possible (optional)
- Panel mounting
- Protective lock to avoid tampering (optional)
- Electrical rating : 5A,250VAC;0.2A,250VDC(RES.) (optionally 15 A, 250 VAC)

Some Applications : Used in high pressure power packs, press application, space and defence, etc.

Range Selection Table

Range Code	Range (rising pressure) bar (psi)	*Approximate Maximum Differential bar (psi)	Maximum Working Pressure bar (psi)
10	1 - 10 (14.50 - 145.04)	1 (14.50)	15 (217.71)
15	2 - 15 (29.00 - 217.71)	2 (29.00)	15 (217.71)

*differential rises with setpoint (Graphs available on request)

How to order DT high range pressure switches.

Group 1	Group 2	Group 3	Group 4	Group 5	Group 6
Model	Range Code	Microswitch	Wetted Parts	Protective Lock	
DT - High Range Pressure Switch	Please select as per range code table	C - rated at 5A, 250 VAC (res.) H - rated at 15A, 250 VAC (res.)	S - Standard	U - without any lock P - with a protective lock	Reserved for non standard modifications. Code will be given by company

eg. A hydraulic pressure switch, pressure range from 1 to 10 bar, with a standard 5 A,250 VAC microswitch, standard wetted parts and a protective lock shall be specified by

Group 1	Group 2	Group 3	Group 4	Group 5	Group 6
DT	10	C	S	P	-

Please specify full model number to avoid ambiguity. If only the first two groups are specified while ordering, pressure switches without a protective lock & with standard wetted parts will be supplied.